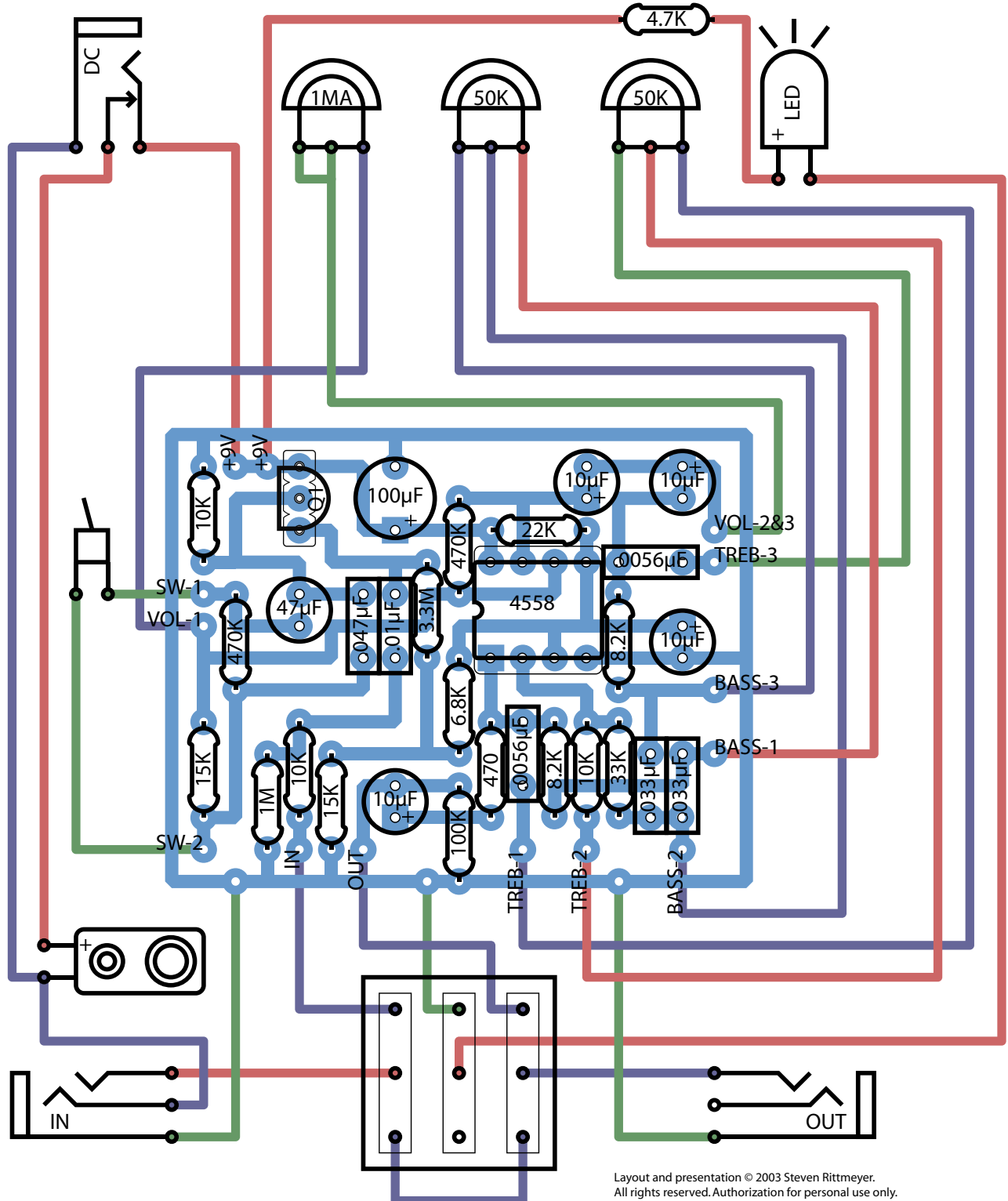
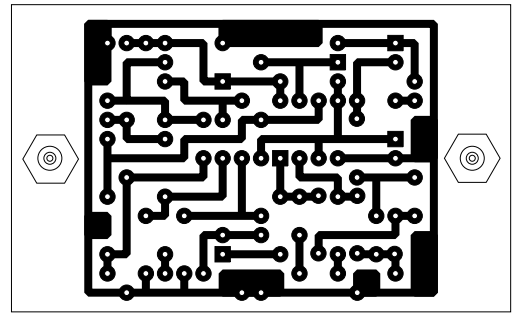




uStomp.com - Boss FA-1

A clean boost pedal that is used by U2 guitarist "The Edge". This is a work-alike circuit as the original op-amps and FET are hard to come by. I used a 4558 for the IC and a J201 for the FET. Note that the 47uF cap is non-polar.



Layout and presentation © 2003 Steven Rittmeyer.
All rights reserved. Authorization for personal use only.
Any commercial use is forbidden.
Permission for posting/serving limited to <http://www.ustomp.com>
Permission refused for serving from or posting to other sites.